



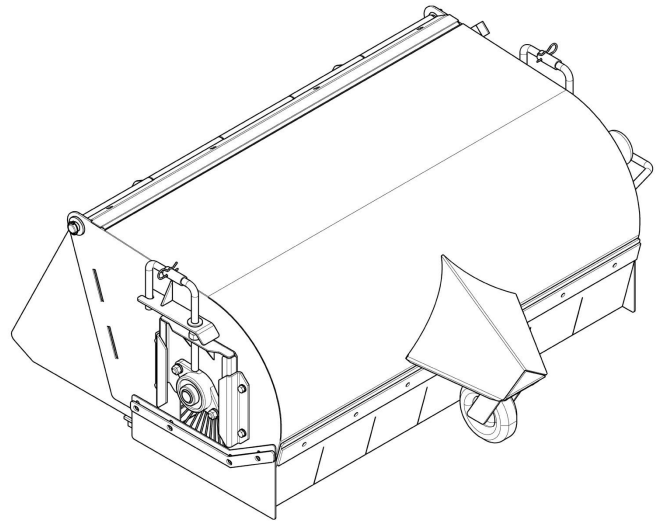
# Bucket Broom

Thomas Angle Sweepers are designed to operate in forward or reverse for quick efficient clean-up.

Hydraulically powered the sweeper moves dirt and debris directly into its attached heavy duty, high capacity 42" (1069 mm) 3.6 cu. ft. (.33 cu.m.) bucket.

The easily replaceable wafer bristle design features a full 18 inch diameter brush that can be ordered with a choice of poly, poly/wire or wire bristles.

Exclusive to Thomas, the loaders hydraulic circuit features a motor spool which protects the sweepers drive motor from hydraulic pressure spikes when the sweeper is shut off.



- **Overall Width 55" (1397 mm)**
- **Sweeping Width 42" (1067 mm)**
- **Height 30" (762 mm)**
- **Bucket Capacity 3.6 cu. ft. (.33 cu.m.)**
- **Brush Diameter 18" (457 mm)**

---

## WWW.THOMASLOADERS.COM

103 Graham St., Woodstock, NB, Canada, E7M 6B5  
866-238-6844 - [salesinquiries@thomasloaders.com](mailto:salesinquiries@thomasloaders.com)